

KSTAR Integrated Data Center Unit



IDU (Integrated Data Center Unit) means integrate modular UPS , power supply system, rowbased cooling, cold and hot air containment, cabinet and monitoring system. Product mainly providing one-stop solution of quickly deployment, plug and play function to node type terminal, medium and small station and mini-type data center. This product belongs to the commercial and industrial products.

		Indoor	Outdoor
Operation Parameter	Temperature	1°C ~ 30°C	Cooling type: -20°C ~ +45°C
	Humidity (RH)	20% ~ 80%	—
Operation Request	Altitude	Altitude < 1000M. reduce rate while using when > 1000M	
Operation Request	Model	IDU-06: Voltage 220V±10%, Frequency 50Hz±2Hz	
		IDU-10: Voltage 220V±10%, Frequency 50Hz±2Hz	
		IDU-15: Voltage 380V, Frequency 50Hz±2Hz 3ø	

System Combination

IDU is consists of UPS, power supply system, row-based cooling, cold and hot air containment, cabinet and monitoring system. Functional units of every subsystem as bellows:

- UPS system——Continuous power supply when power cut off.
- Power supply system——Power distribution for each subsystem.
- Monitoring system——Real-time monitoring and remote monitoring on every subsystems. Easy to manage the information of unit operation.
- Cooling system——Row-based cooling providing a comfortable environment for IT equipment operation.
- Fire Control System——To prevent IT equipment burns caused by accidental fires.
- Cabinet and Channel Sealing System——To provide storage place for IT equipment. Make sure air sealed in sealing channel, internal air circulation and high environment control.

Product Specification

Outsize and Net Weight.

Model	Outsize(mm)W1×H1×D1	N/W(kg)
IDU-06	1500×2000×1280	≤485
IDU-10	1500×2000×1280	≤585
IDU-15	2100×2000×1280	≤835

Explain

W-Width / H-Height / D-Depth

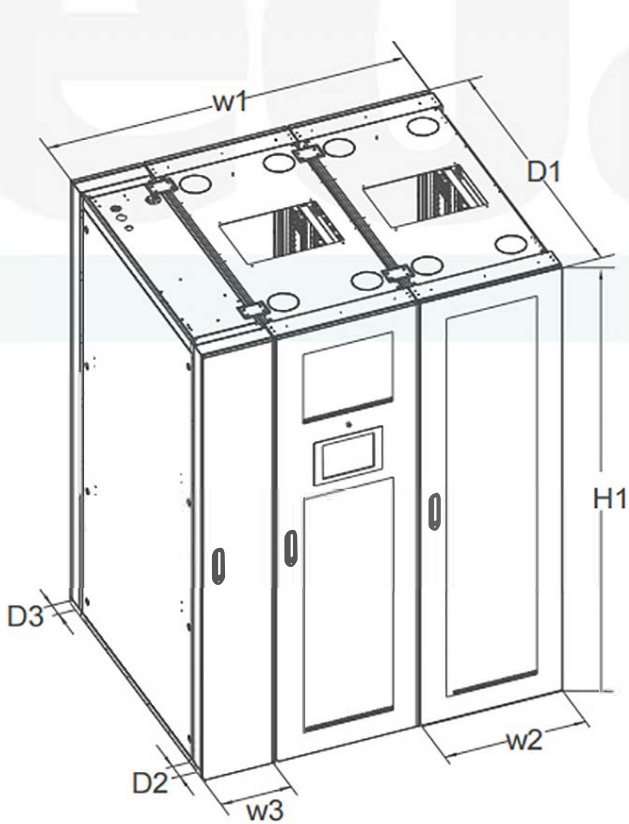


Figure 1-2 IDU-06/10 Indoor unit size

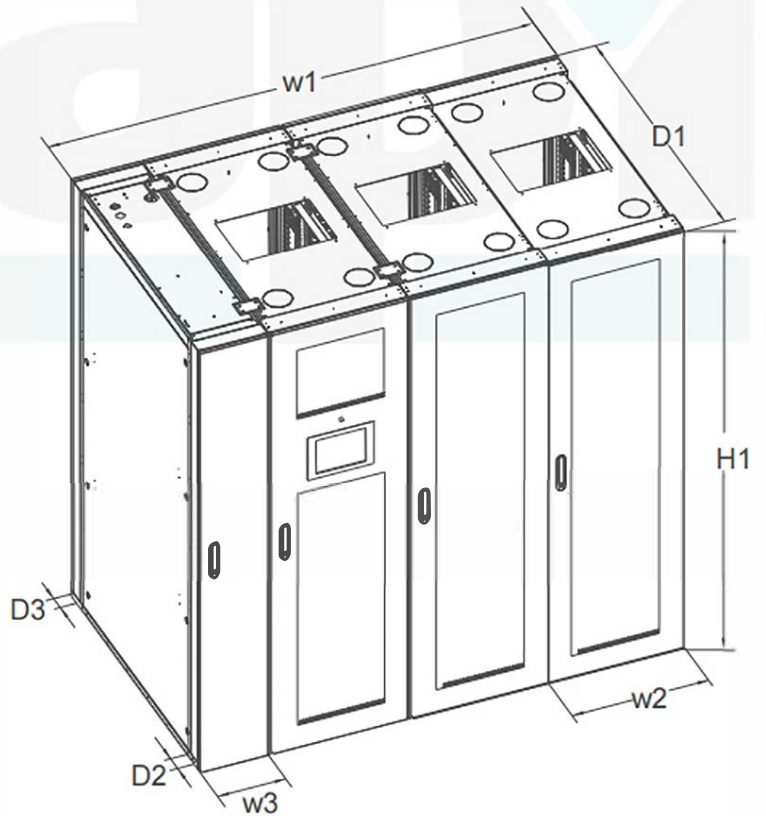


Figure 1-3 IDU-15 Indoor unit size

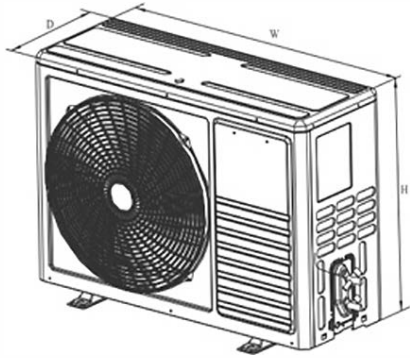


Figure 1-4 Dimensional Drawing of outdoor unit (KCS007)

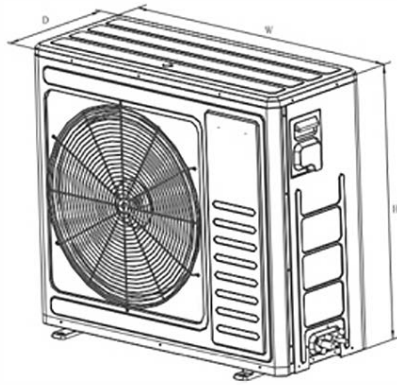


Figure 1-5 Dimensional Drawing of outdoor unit (KCS010)

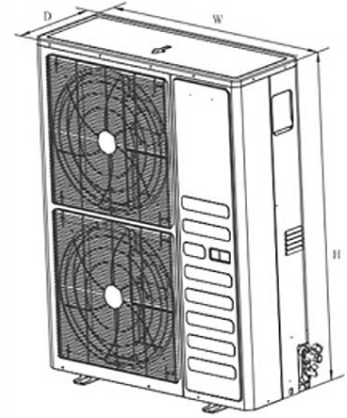


Figure 1-6 Dimensional Drawing of outdoor unit (KCS018)

Model	D2(mm)	D3(mm)	W2(mm)	W3(mm)
IDU-06	90	90	600	300
IDU-10	90	90	600	300
IDU-15	90	90	600	300

Model	outside(mm)W×H×D	NW(kg)
KCS007HNA	877×380×608	25
KCS010HNA	967×433×806	37
KCS018HNA	1014×400×1244	61

Explain

W-Width, H-Height, D-Depth

Model		IDU-06	IDU-10	IDU-15
Indoor Unit	Cabinet Quantity	2	2	2
	AC Quantity	1	1	1
	AC Cooling Capacity -KW	5.5	7.5	12.5
	UPS Module Quantity	1	1	1
	UPS Module Unit Power Rate -kVA	6	10	15
Outdoor Unit	Outdoor Model	KCS007HNA	KCS010HNA	KCS018HNA
	Outdoor Quantity	1	1	1